


# SPECIFICATIONS FOR LCD MODULE

<b>CUSTOMER</b>	
<b>MODEL</b>	<b>SCT032003-V01</b>
<b>CUSTOMER APPROVED</b>	

<b>APPROVED BY</b>	<b>CHECKED BY</b>	<b>ORGANIZED BY</b>
	<b>Lr.Yin</b>	<b>Wf.Luo</b>

**ADD : 2nd Floor,Block B,XinKeJu Machinery Manufacturing Co.,Ltd.No.208**

**MeiJingXi Road,SongMuShan,DaLang Town,DongGuan City,China**

**TEL : 0769-84428017**

**FAX : 0769-84428017**



0158

### RECORDS OF REVISIONS

Revision No	Revision Date	Description
Ver: A0	2017-02-15	First release

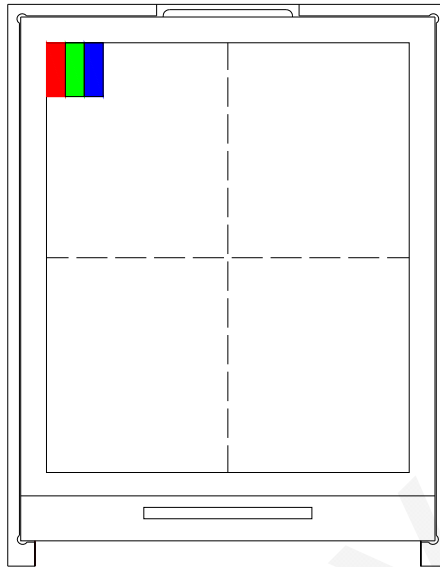
# CONTENTS

- General Description
- Interface Timing
- Electrical Characteristics
- Optical characteristics
- Reliability
- Precaution
- Outline Dimension
- Packing method

## 1. General Description

This LCM [SCT032003-V01](#) is a TFT LCD module, comprising a [720](#)-channel source driver, a [320](#)-channel gate driver, [240 \(RGB\) x 320](#) dots graphic, and power supply circuit. The 262k color can be display.

This TFT-LCD has [3.2](#) inch diagonally measured active display area with [QVGA](#) resolution.



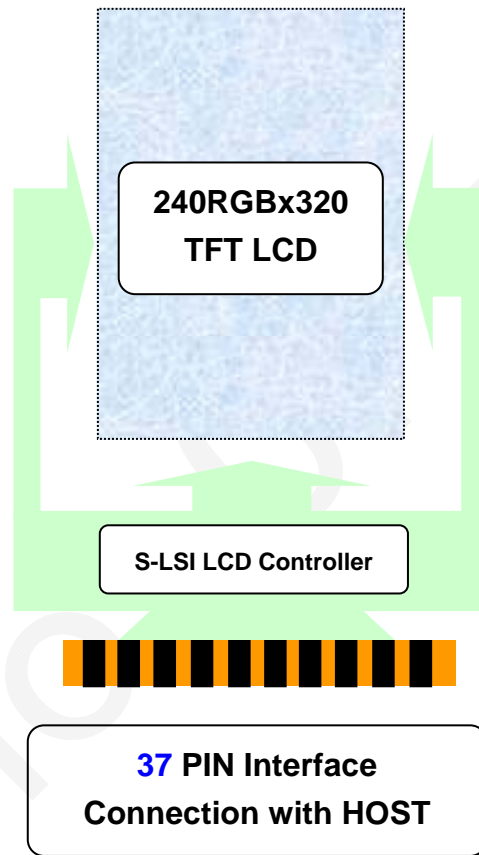
### 1.1 Mechanical Specifications

Item	Nominal Dimension	Unit
Dot Matrix	240 x RGB x 320	Dots
Module Size ( W×H×T )	55.04 x 77.70 x 2.40	mm.
Active Area ( W×H )	48.60 x 64.80	mm.
Pixel arrangement	RGB Stripe	mm.
Dot Pitch ( W×H )	0.2025 x 0.2025	mm.
Color depth	262K (MAX)	colors
Interface	16bit MCU	-
Driving IC Package	COG	-

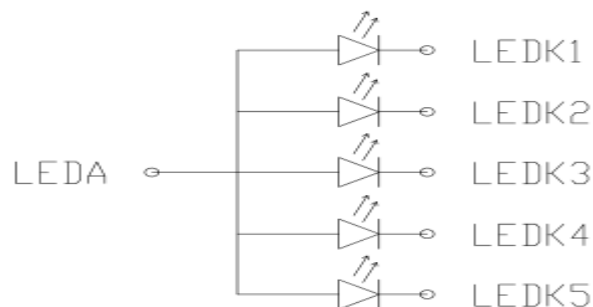
## 1.2 Display Specifications

Item	Nominal Dimension	Unit
Operating temperature	-20 ~70	°C
Storage temperature	-30~80	°C
LCD Type	a-Si TFT	-
LCD Mode	TN/Normal White	-
Backlight Type	LED x 5	PCS

## 1.3 Block Diagram



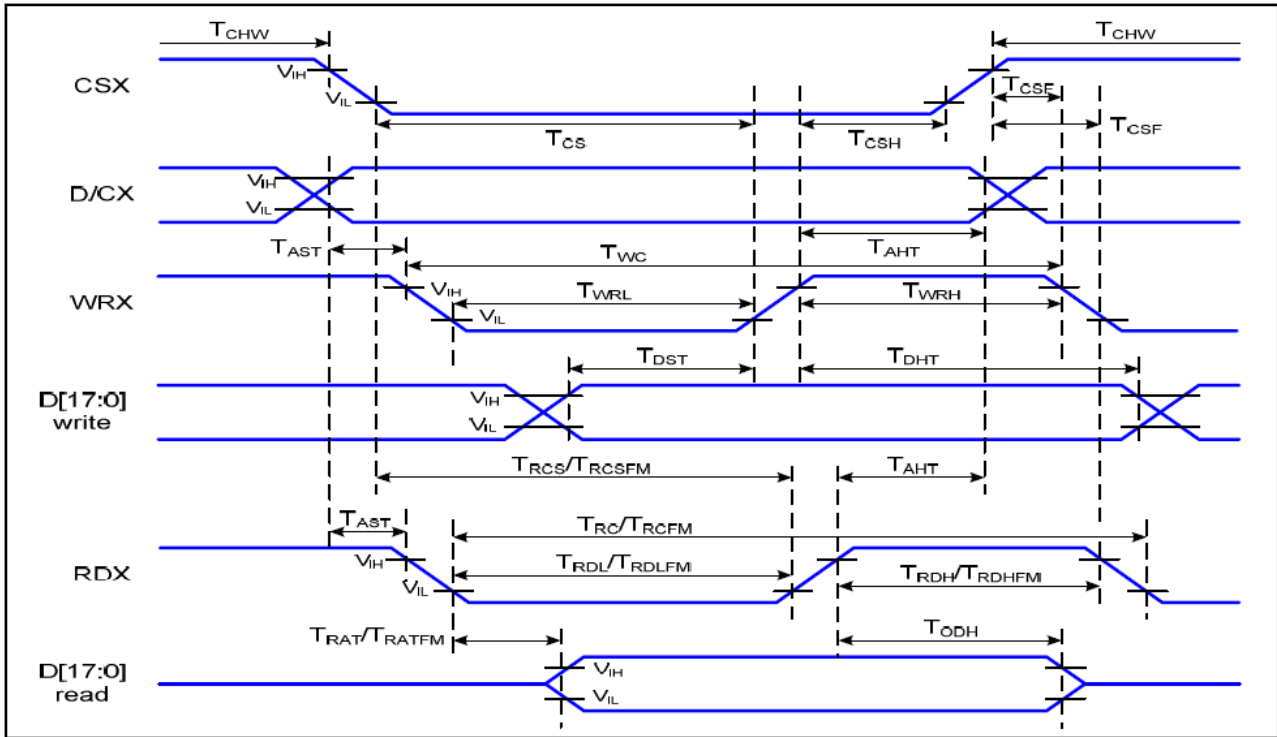
## 1.4 Back-light Unit



## 1.5 Interface Pin

Pin No	Pin Symbol	Level	Description
1-4	DB8-DB11	H/L	Data bus
5	GND	0V	Ground
6	VDDI	1.65-3.3V	Power supply for Interface Operation
7	/CS	H/L	Chip Select signal
8	RS	H/L	Register select signal. 0:index register; 1: data register
9	/WR	H/L	Write signal
10	/RD	H/L	Read signal
11-14	NC	-	No connect
15	LEDA	-	LED light, anode
16	LEDK1	-	LED light, cathode.
17	LEDK2	-	LED light, cathode.
18	LEDK3	-	LED light, cathode.
19	LEDK4	-	LED light, cathode.
20	LEDK5	-	LED light, cathode.
21	NC	-	No connect
22	DB12	H/L	Data bus
23-30	DB0-DB7	H/L	Data bus
31	/RESET	H/L	Chip reset signal
32	VDD	2.4-3.3V	Power supply for System
33	VDDI	1.65-3.3V	Power supply for Interface Operation
34	GND	0V	Ground
35-37	DB13-DB15	H/L	Data bus

## 2. Interface Timing



$V_{DDI}=1.65$  to  $3.3V$ ,  $V_{DD}=2.4$  to  $3.3V$ ,  $AGND=DGND=0V$ ,  $T_a = -30$  to  $70$  °C

Signal	Symbol	Parameter	Min	Max	Unit	Description
D/CX	$T_{AST}$	Address setup time	0		ns	-
	$T_{AHT}$	Address hold time (Write/Read)	10		ns	
CSX	$T_{CHW}$	Chip select "H" pulse width	0		ns	-
	$T_{CS}$	Chip select setup time (Write)	15		ns	
	$T_{RCS}$	Chip select setup time (Read ID)	45		ns	
	$T_{RCSFM}$	Chip select setup time (Read FM)	355		ns	
	$T_{CSF}$	Chip select wait time (Write/Read)	10		ns	
	$T_{CSH}$	Chip select hold time	10		ns	
WRX	$T_{WC}$	Write cycle	66		ns	-
	$T_{WRH}$	Control pulse "H" duration	15		ns	
	$T_{WRL}$	Control pulse "L" duration	15		ns	
RDX (ID)	$T_{RC}$	Read cycle (ID)	160		ns	When read ID data
	$T_{RDH}$	Control pulse "H" duration (ID)	90		ns	
	$T_{RDL}$	Control pulse "L" duration (ID)	45		ns	
RDX (FM)	$T_{RCFM}$	Read cycle (FM)	450		ns	When read from frame memory
	$T_{RDHFM}$	Control pulse "H" duration (FM)	90		ns	
	$T_{RDLFM}$	Control pulse "L" duration (FM)	355		ns	
D[17:0]	$T_{DST}$	Data setup time	10		ns	For $CL=30pF$

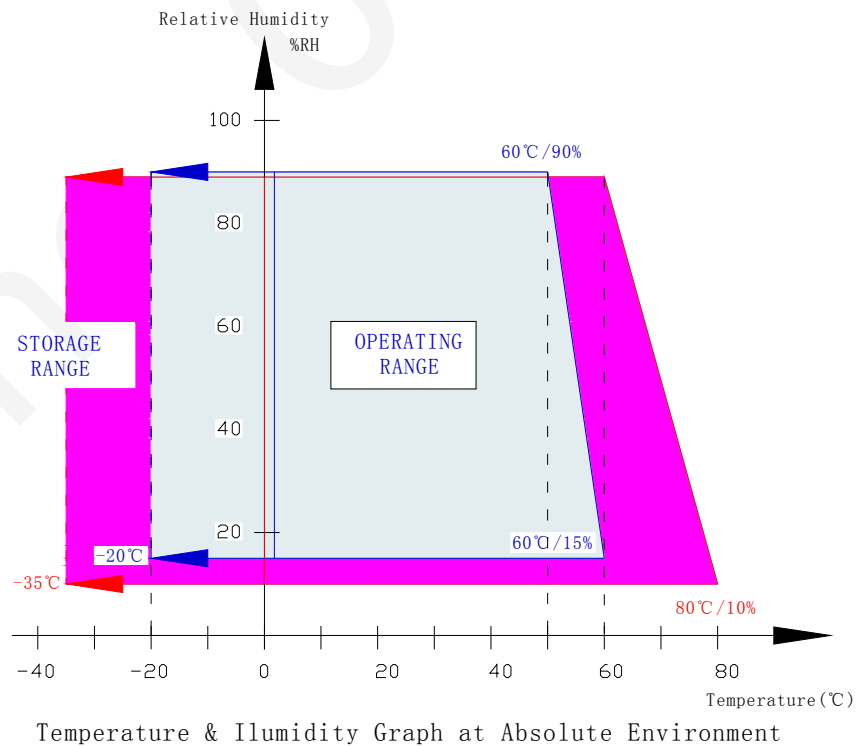
### 3. Electrical Characteristics

#### 3.1 Absolute Maximum Ratings

Item	Symbol	Min	Max	Unit
Supply voltage for System	VCC	0	4.6	V
Supply voltage for Interface Operation	VCC	0	4.6	V
Operate temperature range	TOP	-20	70	°C
Storage temperature range	TST	-30	80	°C

**Note:**

- (1) 90%RH maximum humidity, 60°C maximum wet-bulb temperature When operated at a temperature lower than 0°C, the LCD worked slowly and the screen appeared low-contrast images due to the characteristics of LC(Liquid Crystal).
- (2) If any fixed pattern is displayed on LCD for minutes, image-sticking phenomenon may occur.
- (3) Degradation could occur to pixels' TFT when DC BIOS is input into its gate-signal under POWER OFF WAITING STAND-BY & SLEEP MODE. Therefore, LCD should be turn off then.
- (4) Please operate a LCD module on the basis of the recommended S/W(Register)



DATA). If you want to change any part of the S/W, you must take driver's confirmation.



### 3.2 DC Characteristics

T<sub>a</sub> = 25°C

Item	Symbol	Min	Typ	Max	Unit	Condition
Supply voltage for System	VDD	2.4	2.75	3.3	V	
Supply voltage for Interface Operation	VDDI	1.65	1.8	3.3	V	
Input high level voltage	V <sub>IH</sub>	0.8VDDI	--	VDDI	V	
Input low level voltage	V <sub>IL</sub>	0	--	0.8VDDI	V	
Power supply current	I <sub>CC</sub> + I <sub>CI</sub>	--	TBD	--	mA	
Backlight forward voltage	V <sub>F</sub>	2.75	3.2	3.6	V	
Backlight forward current	I <sub>F</sub>	--	80	--	mA	
Backlight Uniformity	Avg	80	85	--	%	

### 4. Optical characteristics

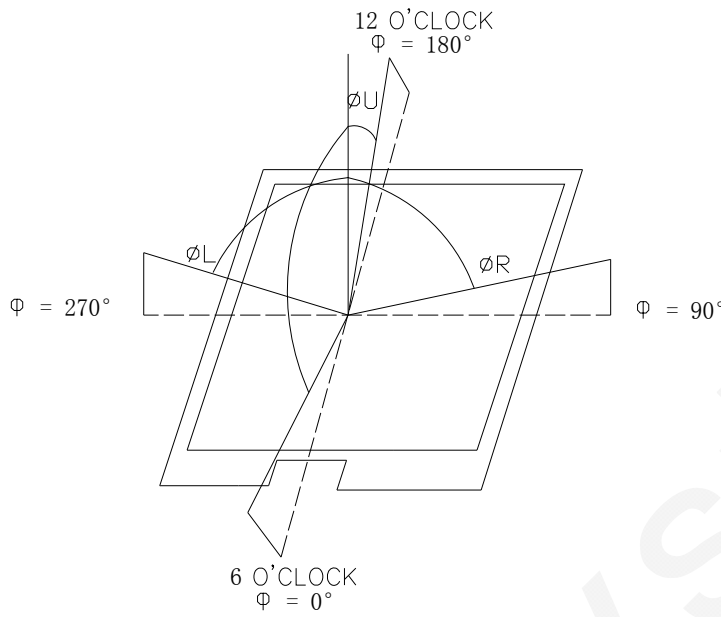
Parameter		Symbol	Condition	Min	Typ	Max	Unit	Note
Viewing angle		Left	CR <sub>≥</sub> 10		45		Degree	(2)
		Right			45		Degree	
		Up			45		Degree	
		Down			20		Degree	
Color Chromaticity	Red	R <sub>x</sub>	θ=0 Normal viewing angle		0.626		-	Color Chromaticity
		R <sub>y</sub>			0.334		-	
	Green	G <sub>x</sub>			0.277		-	
		G <sub>y</sub>			0.549		-	
	Blue	B <sub>x</sub>			0.142		-	
		B <sub>y</sub>			0.122		-	
	White	W <sub>x</sub>			0.303		-	
		W <sub>y</sub>			0.325		-	
Contrast ratio		CR	optimal	-	250		-	(1)
Response time		Tr+Tf			30		ms	(3)
Luminance on surface If=80mA		L <sub>v</sub>	Normally θ <sub>x</sub> = θ <sub>y</sub> = 0	200	230		cd/m <sup>2</sup>	

**Note (1) Definition of contrast ratio**

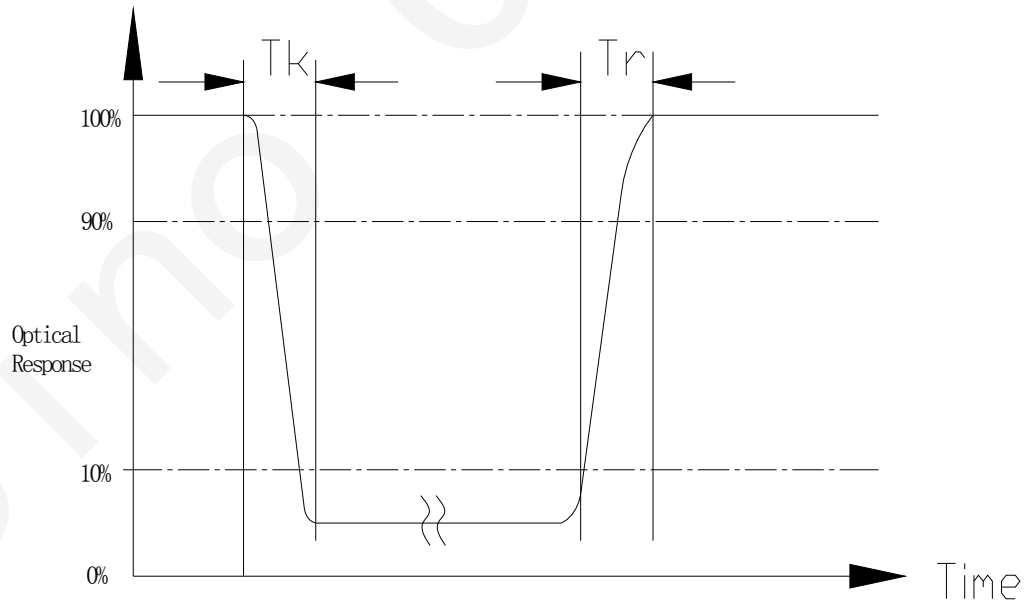
Measured at the center point of panel

$$CR = \frac{\text{Luminance with all pixel white}}{\text{Luminance with all pixel black}}$$

**Note (2) Definition of viewing angle**



**Note (3) Definition of response time: Tr+Tf**



## 5. Reliability

### 5.1 Reliability Condition

\*One single product test for only one item.

Item No	Item	Condition	Remark
1	High temperature Operating	60°C, 120Hours	Finish product (With polarizer)
2	Low temperature Operating	-10°C, 120 Hours	Finish product (With polarizer)
3	High temperature Storage	70°C, 200 Hours	Finish product (With polarizer)
4	Low temperature Storage	-20°C, 200 Hours	Finish product (With polarizer)
5	High temperature & humidity Storage	50°C, 90%RH, 120 Hours	Finish product (With polarizer)
6	Thermal Shock Storage (No operation)	-10°C , 30min.<=> 60°C , 30min. 10 Cycles	Finish product (With polarizer)
7	ESD test	Voltage:±8KV R:330 ohm,C:150pF Air discharge,10 times	Finish product (With polarizer)
8	Vibration test	10 => 55 =>10 => 55 => 10 Hz, within 1 minute;Amplitude:1.5mm. 15 minutes for each Direction ( X,Y,Z )	Finish product (With polarizer)
9	Drop test	Packed, 100CM free fall 6 sides, 1 corner, 3edges	Finish product (With polarizer)

\* Judgment after test: keep in room temperature for more than 2 hours.

- Current consumption < 2 times of initial value
- Contrast > 1/2 initial value
- Function: work normally

## 5.2 Inspection plan

Class	Item	Judgment	Class
Packing & Indicate	1.Outside and inside package	"Model no." , "lot no." and "quantity" Should indicate on the package.	Minor
	2.Model mixed and quantity	Other model mixed.....rejected. Quantity short or over....rejected.	Critical
	3.Product indication	"Model no." should indicate on the product	Major
Assembly	4.Dimension,LCD glass scratch And scribe defect	According to specification or drawing	Major
Appearance	5.Viewing area	Polarizer edge or LCD's sealing line is visible in the viewing area .....rejected	Minor
	6.Blemish 、 black spot 、 White spot in the LCD And LCD glass cracks	According to standard of visual inspection ( inside viewing area )	Minor
	7. Blemish 、 black spot White spot and scratch on the polarizer	According to standard of visual inspection ( inside viewing area )	Minor
	8.Bubble in polarizer	According to standard of visual inspection ( inside viewing area )	Minor
	9.LCD's rainbow color	Strong deviation color ( or Newton ring ) of LCD .....rejected. Or according to limited sample ( if needed, and inside viewing area )	Minor
	10.FPC	Burned area or wrong part number is on FPC. The symbol, character, and mark of FPC are unidentifiable. The stripped solder mask, A>1.0mm 0.3mm < stripped solder mask or visible circuit, A<1.0mm,and the number is ≧ 4 pieces. Particle between circuits in solder mask.. Circuit is peeled off or cracked. Any circuit risen or exposed. 0.2mm< Area of solder ball, A is ≧0.4mm,the number of solder ball is ≧ 3 pieces. The magnitude of solder ball, A is>0.4mm.	Minor

**5.3 Standard of visual inspection**

Class	Item	Judgment	Class
Electrical	11. Electrical and optical characteristics (contrast、VOP、chromaticity...etc)	According to specification or drawing. (inside viewing area)	Critical
	12. Missing pattern	Missing dot、line、character.....rejected	Critical
	13. Short circuit、wrong pattern display	Non display、wrong pattern display、current consumption out of specification.....rejected	Critical
	14. Pin hole、pattern deformity	According to standard of visual inspection	Minor
	15. Black spot、white spot、black line、white line、slant line、background uneven、color uneven	Strong deviation color.....rejected Or according to limited sample full off screen (all black) ...disregards	Minor
	16. Stick image (retention image)	Fixed test picture within two hours...rejected	Minor

Class	Item	Judgment																			
Minor	<ul style="list-style-type: none"> <li>Blemish、black spot、white spot in the LCD.</li> <li>Blemish、black spot、white spot and scratch on th polarizer</li> </ul>	<p>(A) Round type: unit: mm</p> <table border="1"> <thead> <tr> <th>Diameter (mm.)</th> <th>Acceptable Q'ty</th> </tr> </thead> <tbody> <tr> <td><math>0.2 &lt; A</math></td> <td>0</td> </tr> </tbody> </table> <p>Note: <math>A = (\text{Length} + \text{Width}) / 2</math></p> <p>(B) Liner type: unit: mm</p> <table border="1"> <thead> <tr> <th>Length</th> <th>Width</th> <th>Acceptable Q'ty</th> </tr> </thead> <tbody> <tr> <td>---</td> <td><math>W \leq 0.03</math></td> <td>Disregard</td> </tr> <tr> <td><math>L \leq 5</math></td> <td><math>0.03 &lt; W \leq 0.05</math></td> <td>3</td> </tr> <tr> <td><math>L \leq 5</math></td> <td><math>0.05 &lt; W \leq 0.07</math></td> <td>1</td> </tr> <tr> <td>---</td> <td><math>0.07 &lt; W</math></td> <td>Follow round type</td> </tr> </tbody> </table>	Diameter (mm.)	Acceptable Q'ty	$0.2 < A$	0	Length	Width	Acceptable Q'ty	---	$W \leq 0.03$	Disregard	$L \leq 5$	$0.03 < W \leq 0.05$	3	$L \leq 5$	$0.05 < W \leq 0.07$	1	---	$0.07 < W$	Follow round type
Diameter (mm.)	Acceptable Q'ty																				
$0.2 < A$	0																				
Length	Width	Acceptable Q'ty																			
---	$W \leq 0.03$	Disregard																			
$L \leq 5$	$0.03 < W \leq 0.05$	3																			
$L \leq 5$	$0.05 < W \leq 0.07$	1																			
---	$0.07 < W$	Follow round type																			
Minor	Bubble in polarizer	<p>unit: mm</p> <table border="1"> <thead> <tr> <th>Diameter</th> <th>Acceptable Q'ty</th> </tr> </thead> <tbody> <tr> <td><math>A \leq 0.3</math></td> <td>Disregard</td> </tr> <tr> <td><math>0.3 &lt; A \leq 0.5</math></td> <td>1</td> </tr> <tr> <td><math>0.5 &lt; A</math></td> <td>0</td> </tr> </tbody> </table>	Diameter	Acceptable Q'ty	$A \leq 0.3$	Disregard	$0.3 < A \leq 0.5$	1	$0.5 < A$	0											
Diameter	Acceptable Q'ty																				
$A \leq 0.3$	Disregard																				
$0.3 < A \leq 0.5$	1																				
$0.5 < A$	0																				
Minor	Pin hole、Pattern deformity	<p>unit: dot size</p> <table border="1"> <thead> <tr> <th>Diameter</th> <th>Acc. Q'ty</th> </tr> </thead> <tbody> <tr> <td><math>0.4 &lt; \Phi</math></td> <td>0</td> </tr> </tbody> </table>	Diameter	Acc. Q'ty	$0.4 < \Phi$	0															
Diameter	Acc. Q'ty																				
$0.4 < \Phi$	0																				

## 6. Precaution

### 6.1 Handling

- (1) Protect the panel from static, it may cause damage to the CMOS Gate Array IC.
- (2) Use fingerstalls with soft gloves in order to keep display clean during the incoming inspection and assembly process.
- (3) If the liquid crystal material leaks from the panel, it should be kept away from the eyes or mouth. In case of contact with hands, legs or clothes, it must be washed away thoroughly with soap.
- (4) The desirable cleaners are water, IPA (Isopropyl Alcohol) or Hexane. Don't use Ketone type materials (ex. Acetone), Ethyl alcohol, Toluene, Ethyl acid or Methyl chloride. It might permanent damage to the polarizer due to chemical reaction.
- (5) Pins of I/F connector shall not be touched directly with bare hands.
- (6) Refrain from strong mechanical shock and / or any force to the panel. In addition to damage, this may cause improper operation or damage to the panel.
- (7) Note that polarizers are very fragile and could be easily damaged. Do not press or scratch the surface harder than a B pencil lead.
- (8) Wipe off water droplets or oil immediately. If you leave the droplets for a long time, staining and discoloration may occur.
- (9) If the surface of the polarizer is dirty, clean it using some absorbent cotton or soft cloth.

### 6.2 Storage

- (1) Do not leave the panel in high temperature, and high humidity for a long time. It is highly recommended to store the panel with temperature from 0 to 35°C and relative humidity of less than 70%.
- (2) The panel shall be stored in a dark place. It is prohibited to apply sunlight or fluorescent light during the store.

### 6.3 Operation

- (1) The LCD shall be operated within the limits specified. Operation at values outside of these limits may shorten life, and/or harm display images.
- (2) Do not exceed the absolute maximum rating value. (the supply voltage variation, Input voltage variation in part contents and environmental temperature and so on). Otherwise the panel may be damaged.
- (3) If the panel displays the same pattern continuously for a long period of time, it can be the situation when the image "Sticks" to the screen.

### 7. Outline Dimension

Refer to SCT032003-V01 drawing.

版本记录	A0	新图	2017.02.07	签字确认:	
------	----	----	------------	-------	--

55.04  
48.60(A)

0.80  
4.02

REMOVE TAP

View direction (12°clock)

240(RGB)\*320DOTS  
3.2" TFT 262K

64.80(A)

77.70

3.44

25.64

2.30

41.44

37

1

0019-2-2.40

2.00

SinoCrystal (ShenZhen) Tech CO., LTD.

绘图: LiuJun    产品型号: SCT032003-V01    单位: mm

审核:            图纸编号: WXT-SCT032003-V01    日期: 2017.02.07

批准:            图纸版本号: A0                            页数: 1/1

2.83" TFT, TRANSMISSIVE, NORMAL WHITE  
1200 (Gray Inversion)  
-20°C--+70°C  
-30°C--+80°C  
ST7789V  
WHITE LED(I<sub>f</sub>=75mA, 5 LEDs)  
±0.3mm

LEDK1  
LEDK2  
LEDK3  
LEDK4  
LEDK5

LEDA

No.	PIN
1	DB8
2	DB9
3	DB10
4	DB11
5	VSS
6	VDDI
7	/CS
8	RS
9	/WR
10	/RD
11	NC
12	NC
13	NC
14	NC
15	LEDA
16	LEDK1
17	LEDK2
18	LEDK3
19	LEDK4
20	LEDK5
21	NC
22	DB12
23	DB0
24	DB1
25	DB2
26	DB3
27	DB4
28	DB5
29	DB6
30	DB7
31	/RESET
32	VDD
33	VDDI
34	VSS
35	DB13
36	DB14
37	DB15

## **8. Packing method**

### **8.1 Packing Quantity (TBD)**

### **8.2 Flowing chart (TBD)**

SinoCrystal